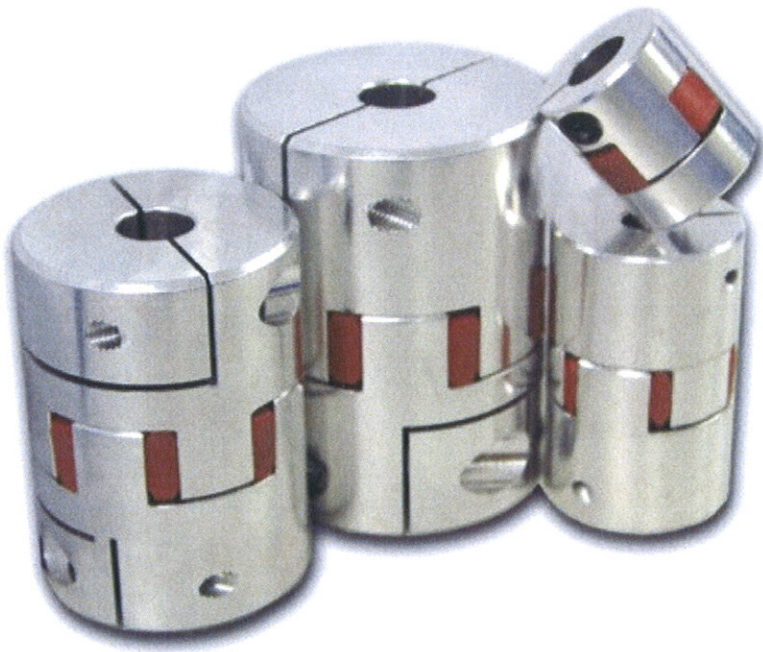


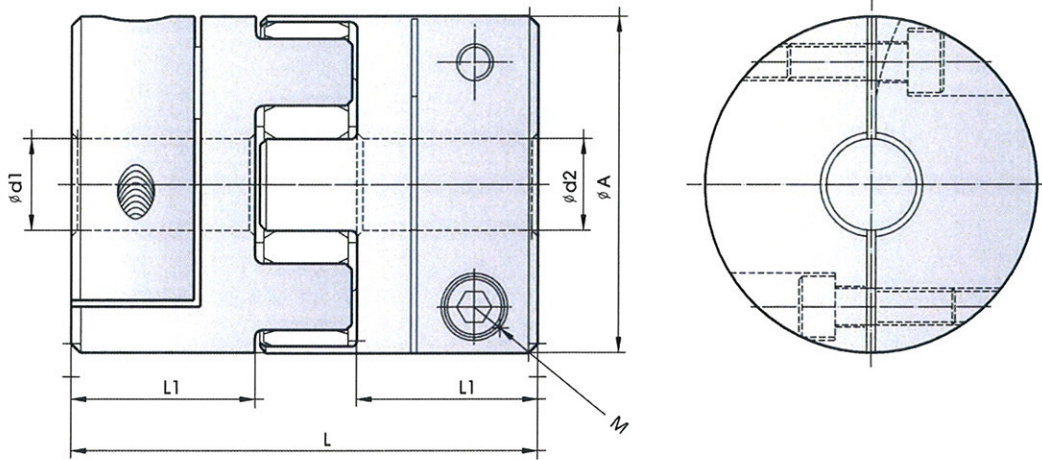
## ServoTech Elastomer Coupling

The Coupling is typically a mechanic device linked with two axes to allow for reversing with the safe torque well transferred. The flexible coupling device is featured with impact buffering, parallel stress absorption, deviating angles, axial phase difference, and the inherent improving capability for systematic locomotion.



- High rigid
- Low inertia
- High vibration resistance
- High torque
- Backlash-free
- Long service life

# Technical data



## DIMENSION

unit : mm

Mode No.	A	L	L1	dmax	d1Xd2		M
					d1	d2	
SRJ-20C	20	30	10	10	4 · 5 · 6 · 6.35 · 7 · 8 · 10		M3
SRJ-30C	30	35	11	16	5 · 6 · 6.35 · 8 · 9 · 9.5 · 10 · 11 · 12 · 14 · 15		M4
SRJ-40C	40	66	25	22	8 · 9.5 · 10 · 11 · 12 · 14 · 15 · 16 · 18 · 19 · 20		M5
SRJ-55C	55	78	30	28	12 · 15 · 16 · 18 · 19 · 20 · 22 · 24 · 25		M6
SRJ-65C	65	90	35	38	20 · 22 · 24 · 25 · 28 · 30 · 32 · 35 · 38		M8

## FUNCTION

Mode No.	Rated Torque (N.m)	Max Torque (N.m)	Max Rotational Frequency (min <sup>-1</sup> )	Static torsion spring stiffness (N.m/rad)	Dynamic torsion spring stiffness (N.m/rad)	Weight (kg)		Mass moment of inertia J (kgm <sup>2</sup> )		Radial (mm)	Angular (°)	Axial (mm)
						each hub	spider	each hub	spider			
SRJ-20C	5	10	15200	51.0	151	8.5 x 10 <sup>-3</sup>	1.7 x 10 <sup>-3</sup>	0.46 x 10 <sup>-6</sup>	0.073 x 10 <sup>-6</sup>	0.10	1.0	0.8
SRJ-30C	12.5	25	10200	170.9	505	18 x 10 <sup>-3</sup>	4.2 x 10 <sup>-3</sup>	2.5 x 10 <sup>-6</sup>	0.45 x 10 <sup>-6</sup>	0.15	1.0	1
SRJ-40C	17	34	7600	857.5	2571	64 x 10 <sup>-3</sup>	6.5 x 10 <sup>-3</sup>	20.1 x 10 <sup>-6</sup>	1.44 x 10 <sup>-6</sup>	0.15	1.0	1.2
SRJ-55C	60	120	5600	2060	6163	130 x 10 <sup>-3</sup>	17.4 x 10 <sup>-3</sup>	50.5 x 10 <sup>-6</sup>	7.3 x 10 <sup>-6</sup>	0.2	1.0	1.4
SRJ-65C	160	320	4700	3430	10291	250 x 10 <sup>-3</sup>	28.6 x 10 <sup>-3</sup>	200.1 x 10 <sup>-6</sup>	16.3 x 10 <sup>-6</sup>	0.2	1.0	1.5

Buffer Material : Engineering Class Plastic  
Material : Aluminum Alloy

Product No : SRJ-AC-d1xd2

ex:SRJ-30C-6x8